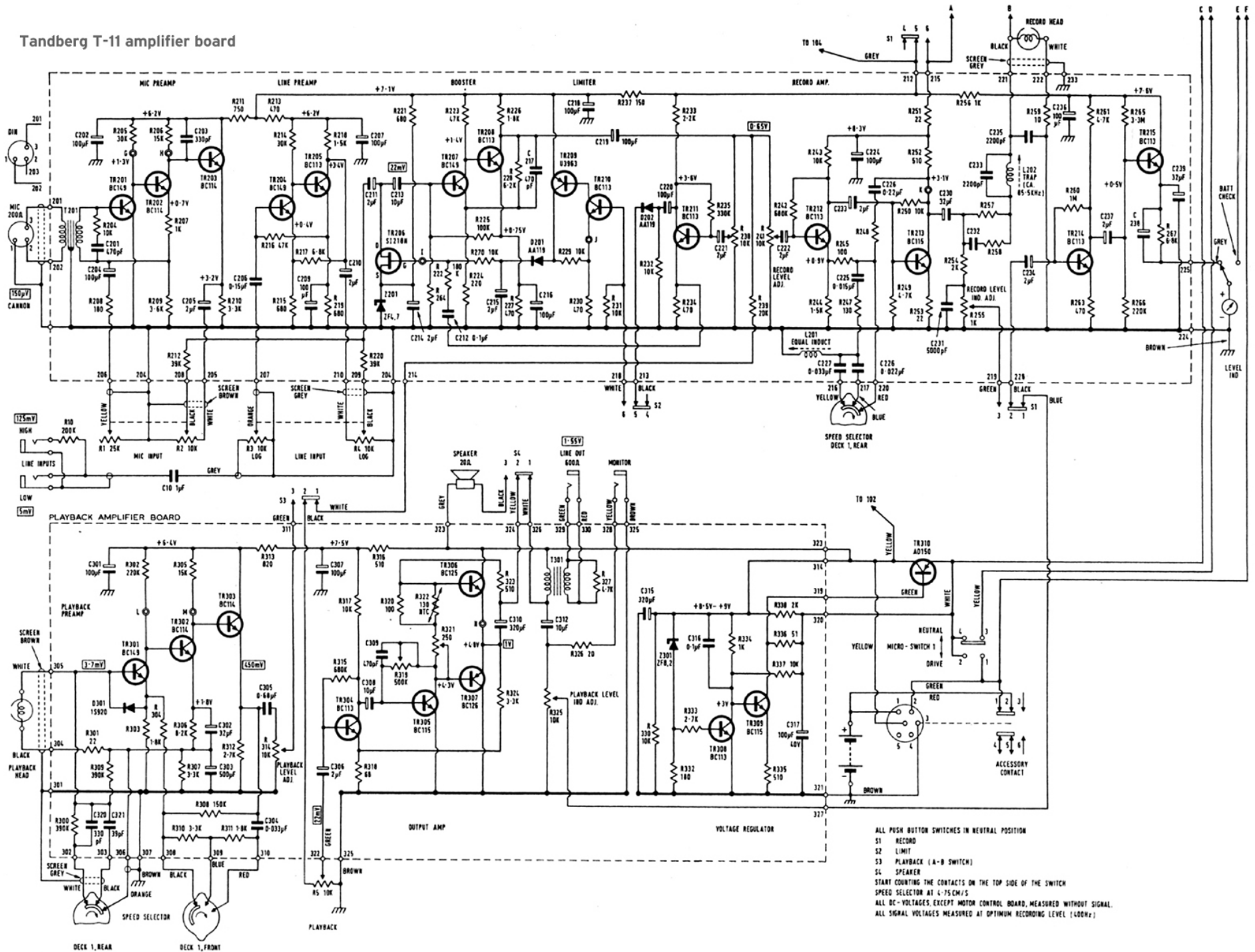


# Tandberg T-11 amplifier board



ALL PUSH BUTTON SWITCHES IN NEUTRAL POSITION  
 S1 RECORD  
 S2 LIMIT  
 S3 PLAYBACK (A-B SWITCH)  
 S4 SPEAKER  
 START COUNTING THE CONTACTS ON THE TOP SIDE OF THE SWITCH  
 SPEED SELECTOR AT 1.75 CM/S  
 ALL DC-VOLTAGES EXCEPT MOTOR CONTROL BOARD, MEASURED WITHOUT SIGNAL.  
 ALL SIGNAL VOLTAGES MEASURED AT OPTIMUM RECORDING LEVEL (100Hz)